



# SQ<sup>2</sup> Bass Drums



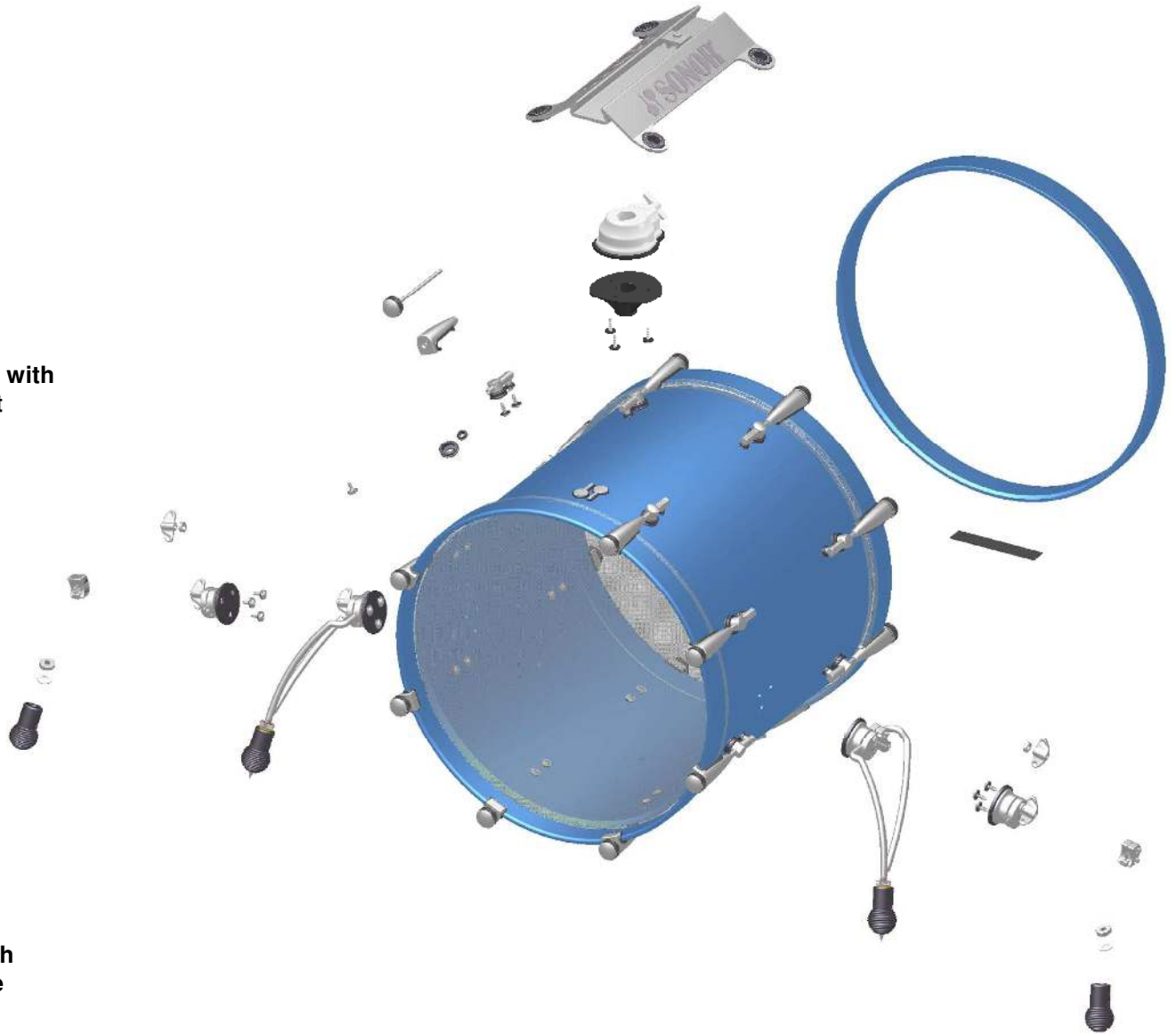
**Bass Drum  
No mount**



**Bass Drum with  
BD Bracket**



**Bass Drum with  
Mounting plate**





### **Claw Hooks**

**190 349 01 chrome**

**190 349 05 gold**

**190 349 07 aranja**



### **Easy-grip screw 130mm**

**190 350 01 chrome**

**190 350 05 gold**

**190 350 07 aranja**

**3 pcs / pack**



**Lug complete**

190 341 01 chrome

190 341 05 gold

190 341 07 aranja



190 342 01

each 2 pcs / pack

190 269 01  
Torx – screw  
ø5x13  
20 pcs / pack

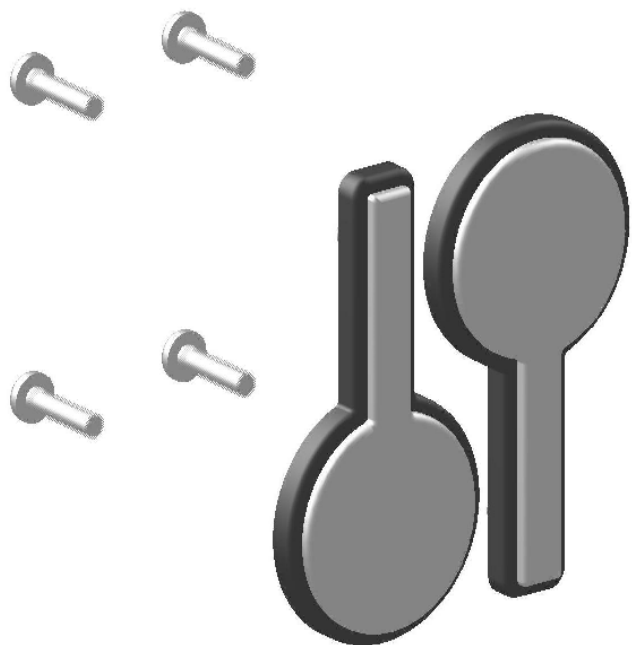


for Vintage shell  
for Medium shell  
for Acrylic shell

190 270 01  
Torx – screw  
ø5x16  
20 pcs / pack



for Heavy shell



**Badge / Logo, chrome No. 190 344 01**

(incl. 4 pcs screw M3x7 and 4 pcs screw M3x10)

**Badge / Logo, gold No. 190 344 05**

(incl. 4 pcs screw M3x7 and 4 pcs screw M3x10)

**Badge / Logo, aranja No. 190 344 07**

(incl. 4 pcs screw M3x7 and 4 pcs screw M3x10)

## Memory Lock complete

- 145 017 01 chrome
- 190 346 05 gold
- 190 346 07 aranja



- 190 266 01 chrome
- 190 266 05 gold
- 190 266 07 aranja



## Prism Clamp complete

- 190 036 01 chrome
- 190 036 05 gold
- 190 036 07 aranja



- 190 040 01 chrome
- 190 040 05 gold
- 190 040 07 aranja
- each 2 pcs / pack



190 039 01

- 190 269 01
- Torx – screw
- ø5x13
- 20 pcs / pack

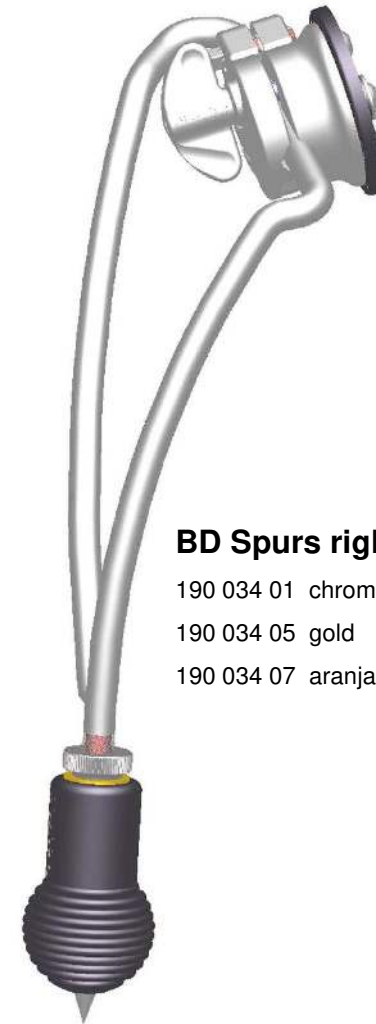


- for Vintage shell
- for Medium shell
- for Acrylic shell

- 190 270 01
- Torx – screw
- ø5x16
- 20 pcs / pack

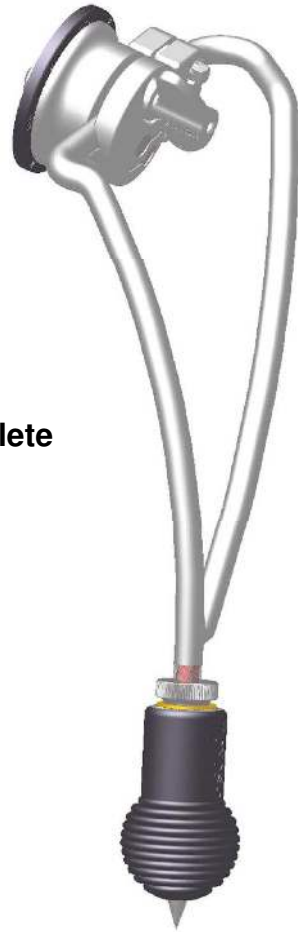


- for Heavy shell



## BD Spurs right complete

- 190 034 01 chrome
- 190 034 05 gold
- 190 034 07 aranja



### BD Spurs left complete

- 190 035 01 chrome
- 190 035 05 gold
- 190 035 07 aranja



- 190 266 01 chrome
- 190 266 05 gold
- 190 26607 aranja



### Prism Clamp complete

- 190 036 01 chrome
- 190 036 05 gold
- 190 036 07 aranja



### Memory Lock complete

- 145 018 01 chrome
- 190 347 05 gold
- 190 347 07 aranja



- 190 040 01 chrome
- 190 040 05 gold
- 190 040 07 aranja
- each 2 pcs / pack

- 190 269 01
- Torx – screw
- ø5x13
- 20 pcs / pack



for Vintage shell  
for Medium shell  
for Acrylic shell

- 190 270 01
- Torx – screw
- ø5x16
- 20 pcs / pack



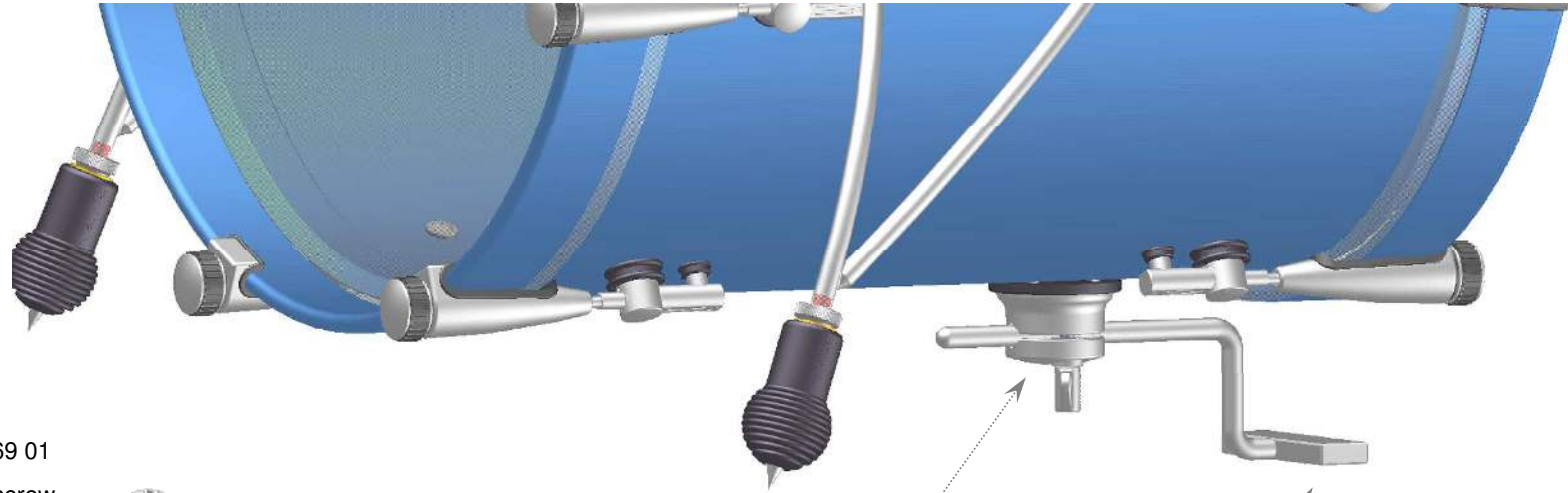
for Heavy shell



190 039 01



# Prism Clamp + Adapter for SQ<sup>2</sup> 16" Bass Drum



190 269 01  
Torx – screw  
ø5x13  
20 pcs / pack



for Vintage shell  
for Medium shell  
for Acrylic shell

190 270 01  
Torx – screw  
ø5x16  
20 pcs / pack



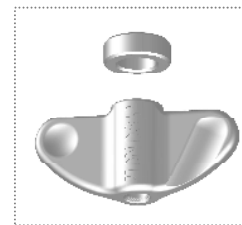
for Heavy shell



## Prism Clamp complete

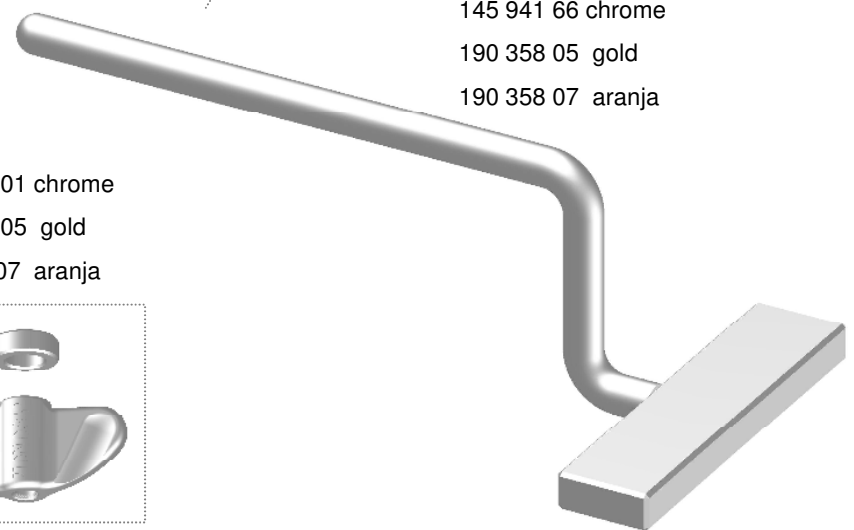
190 036 01 chrome  
190 036 05 gold  
190 036 07 aranja

190 266 01 chrome  
190 266 05 gold  
190 266 07 aranja



## Adapter

145 941 66 chrome  
190 358 05 gold  
190 358 07 aranja



## BD Bracket

190 270 01

Torx – screw

ø5x16

20 pcs / pack



190 453 01

Torx – screw

ø5x20

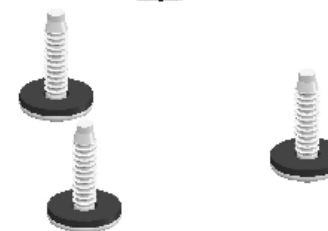
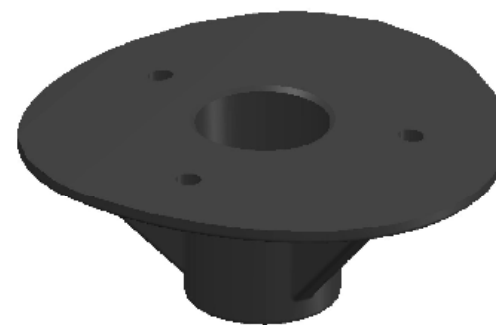
4 pcs / pack



145 234 01 chrome

190 348 05 gold

190 348 07 aranja







## Mounting plate



190 353 01	BD Mounting plate x14" chrome
190 353 05	BD Mounting plate x14" gold
190 353 07	BD Mounting plate x14" aranja
190 354 01	BD Mounting plate x16" chrome
190 354 05	BD Mounting plate x16" gold
190 354 07	BD Mounting plate x16" aranja
190 355 01	BD Mounting plate x18" chrome
190 355 05	BD Mounting plate x18" gold
190 355 07	BD Mounting plate x18" aranja
190 356 01	BD Mounting plate x20" chrome
190 356 05	BD Mounting plate x20" gold
190 356 07	BD Mounting plate x20" aranja
190 357 01	BD Mounting plate x22" chrome
190 357 05	BD Mounting plate x22" gold
190 357 07	BD Mounting plate x22" aranja



## Bass Drum Hoop

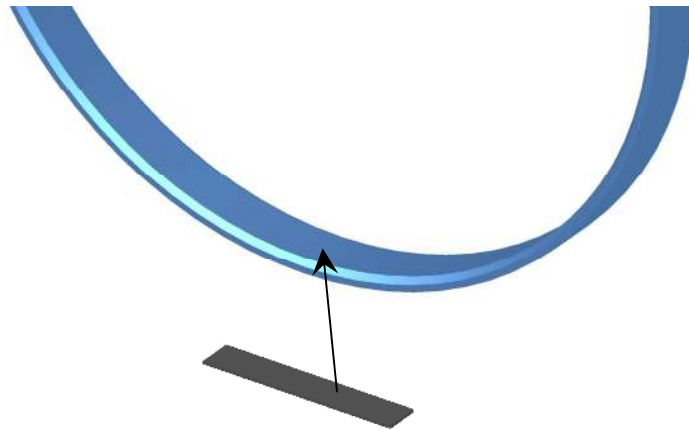
„Only on inquiry“

**Please ask your  
local dealer.**

To find your Bass Drum Hoop configuration  
please go to:

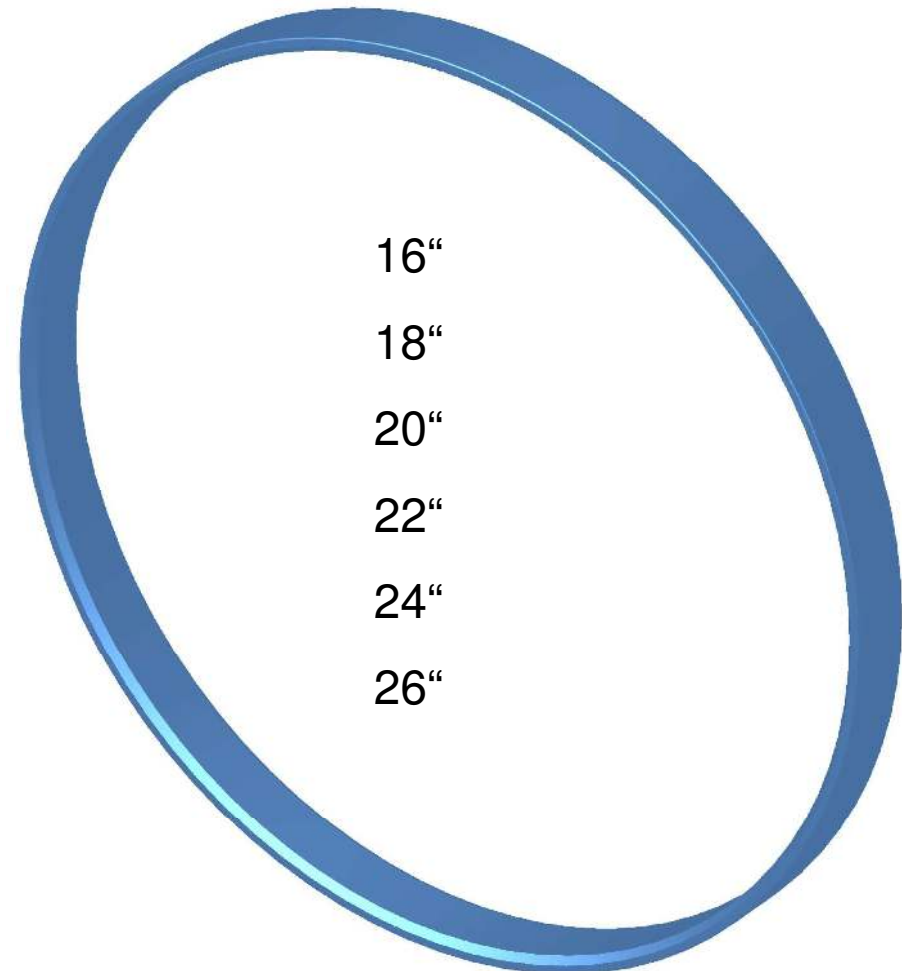
[www.sg2-drumsystem.com](http://www.sg2-drumsystem.com)

- Select „Index of contents“
- Choose „find Unique Print ID (UPID)“
- Enter your valid UPID number or  
SQ<sup>2</sup> serial number



190 028 01

3 pcs / pack



16"

18"

20"

22"

24"

26"